

LFXPRO SERIES Outdoor Lighting

LFXPRO-XL-150-300W-MCTP-BK
POWER & CCT ADJUSTABLE FLOOD/AREA LIGHT

MCTP Multi Color Temperature & Multi Power/Wattage (Selectable)

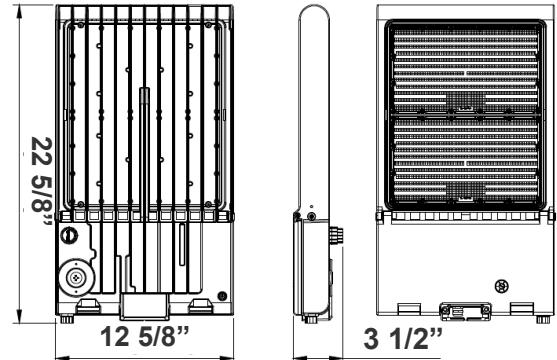


Customer Name: _____

Project Name: _____

Note: _____

Type: _____



22 5/8" (L) x 12 5/8" (W) x 3 1/2" (H)

Ideal for general site lighting, alleys, loading docks, doorway, pathway, and parking areas.

Features

- LED Flood Light
- With snap-on & bolt mounting options for one-person installations.
- Select a mounting option (Sold separately)

- 70,000 Hours Rated Life
- 7-Year Warranty
- Optic Lens Type: III
- Multi-CCT & Multi-Power - The Switches are on the Bottom of the Fixture

Technical Specifications

Electrical:

- Voltage: 100-277V AC 50/60Hz
- Wattage: 150W/ 200W/ 240W/ 300W
- Power Factor: >0.9
- Output Current: 0.25A
- Efficacy: 125 LPW
- THD: <20%

Mechanical:

- Housing: Die-cast Aluminum Housing with Powder Coat Finish (Black)
- 10KV Lightning Surge Protection
- Operating Temperature: -40°F to 104°F
- IP Rating: IP65
- Suitable for Wet Locations
- Effective projected areas (EPA's) are:
 - Front = 0.38 square feet
 - Side = 0.30 square feet
 - Face = 1.05 square feet

Lighting:

- Dimmable: 0~10V
- Solid State Lighting technology for long life, no Maintenance needed and High-Efficiency
- Lens Type: Optical TYPE III Lens, High Light Transmittance PC, Anti-UV and Flame Resistant
- Cord Type: 3.2' SJTW 18/3 AWG cable
- Total lumens: 38000LM Max.
- Color temperature: 3000K/ 4000K/ 5000K/ 5700K
- Color rendering index: CRI ≥ 70
- Beam Angle: 90°x120°

Applications:

- Ideal for general site lighting, alleys, loading docks, doorway, pathway and parking areas.
- Replace existing HID flood lights/ wall packs

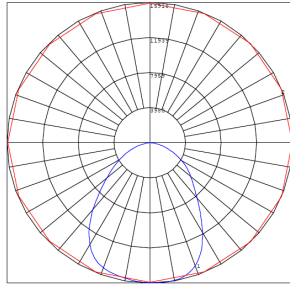
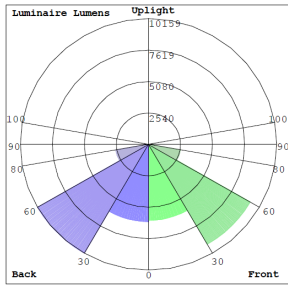
Other Models:

- 150W | 19200LM | LFXPRO-LG-50-150W-MCTP-BK

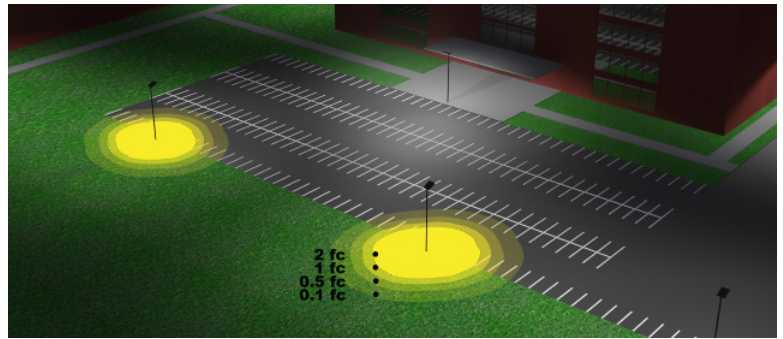


Photometrics: LFXPRO-XL-150-300W-MCTP-BK

TYPE III



BUG Rating: B4-U0-G1



Area 65'x 75' Mounting Height: 20'

Other Views:



Side View



Front View



Back View

Performance Table: LFXPRO-XL-150-300W-MCTP-BK

MODEL NO.	Wattage	Voltage	Lumens	Color Temp.	BUG Rating	LPW
LFXPRO-XL-150-300W-MCTP-BK	150W 200W 240W 300W	120~277V	18750LM 25000LM 30000LM 37500LM	3000K 4000K 5000K 5700K	B4-U0-G1	125

Sample Ordering

Model	Size	Min. Wattage	Max. Wattage	Color Temp.	Housing
LFXPRO	XL	150	300W	MCTP	BK

EPA Rating:

Model	0.8	1.25	1.44	1.89	1.7	2.34
LFX-XL						



Accessories Options

Blank = No Option For Accessories
 WEC-8RC = Optional Motion Sensor Remote Control

Factory-Installed Options

Blank = No Option For Accessories
 OPT-EM-OD2EXT = Emergency Battery Backup
 OPT-3MPC = Microwave Photocell with a 1/2" threaded
 OPT-SEN-3MR-3 = Programmable Microwave Bi-Level Sensor

Example:

- 1.LFXPRO-XL-150-300W-MCTP-BK (For LFXPRO 300W MCTP fixture 120-277V)
- 2.LFXPRO-XL-150-300W-MCTP-BK (For LFXPRO 300W MCTP fixture 120-277V)
 WEC-8RC (Remote Control)

ACCESSORIES:



WEC-8RC

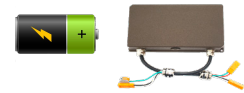
Factory-Installed Options:



OPT-SEN-3MR-3

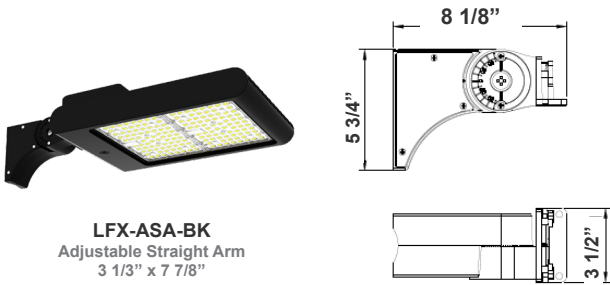


OPT-3MPC



OPT-EM-OD2EXT

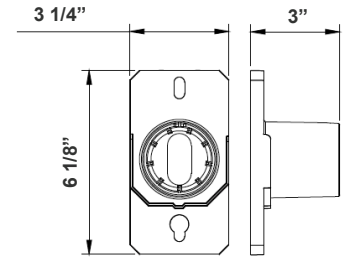
Mounting Options:



LFX-ASA-BK
 Adjustable Straight Arm
 3 1/3" x 7 7/8"



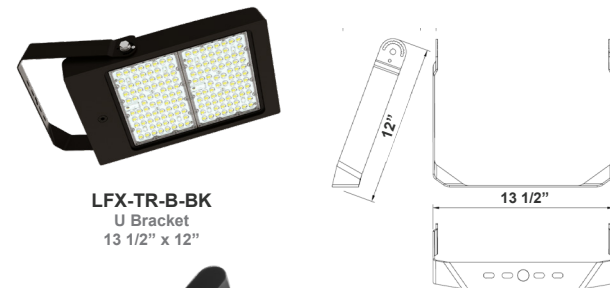
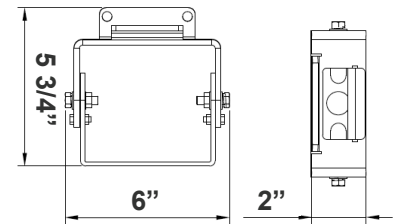
LFX-SF-BK + LFX-PASF-BK
 Pole Adapter for Slip Fitter 6 1/8"
 x 3 1/4" x 3"



LFX-EXT-BK
 Straight Arm
 3 1/3" x 6 3/4" x 4 3/8"



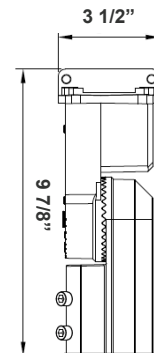
LFX-YK-BK
 Yoke
 5 3/4" x 6" x 2"



LFX-TR-B-BK
 U Bracket
 13 1/2" x 12"



LFX-SF-BK
 Slip Fitter
 3 1/3" x 7 7/8"
 Inside Diameter: 2-3/4"



LFX-AWB-BK
 Adjustable Wall Junction Box
 7 1/8" x 6 5/8" x 5 3/4"



Color Options: LFXPRO-XL-150-300W-MCTP-BK
 Custom Color Available

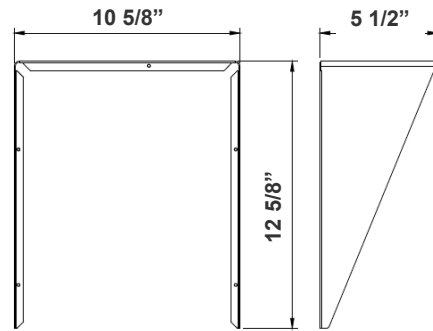
Black Silver White **Dark Bronze** Green Red Yellow
 Default color



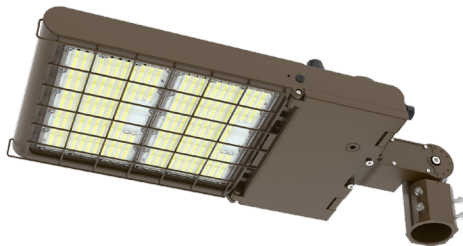
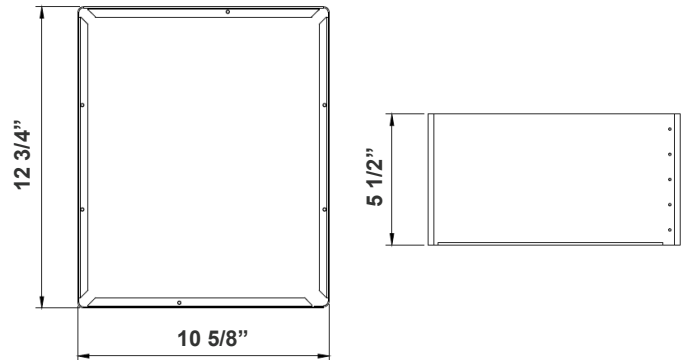
Shroud & Wire Guard:



LF-SHROUD-B
 Shroud
 12 5/8" x 10 5/8" x 5 1/2"
 Can be painted



LF-SHROUD-E
 Full-Glare Shroud
 12 3/4" x 10 5/8" x 5 1/2"
 Can be painted



LFXPRO-WG-B
 Wire Guard
 Can be painted

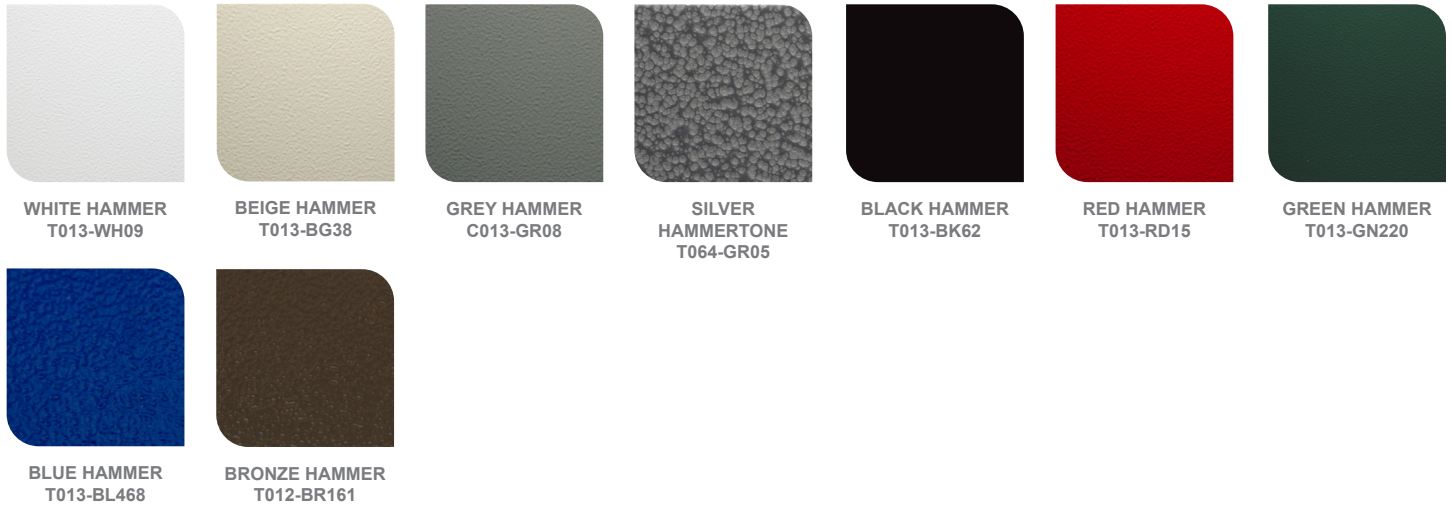


COLOR CHART: * Choose from one of our Premium Colors with no set-up fee.

Gloss:



Hammer:



Texture:



Vein:

